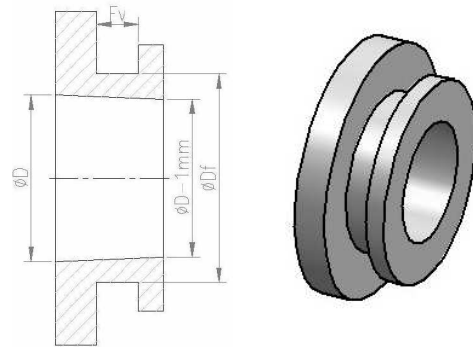


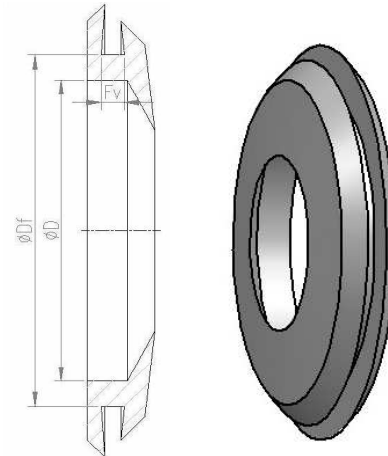
Rubber sealing rings for pipe connections in range DN 20-75 mm

- Available for DN: 20, 25, 32, 40, 50, 63 and 75 mm pipes
- Applied only with crown drills
- Seals in the wall thickness range of 4-10 mm
- Available in different range of chemical resistance materials
- Conical sealing surface
- Can be used down to DN200 mm convex surfaces



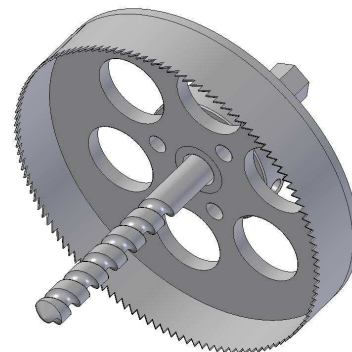
Rubber sealing rings for pipe connections in range DN 90-250 mm

- Available for DN: 90, 110, 125, 160, 200 and 250 mm pipes
- Applied only with crown drills
- Seals in the wall thickness range of 6-8 or 8-12 mm
- Available in different range of chemical resistance materials
- Sealing surface with lips
- Can be used down to DN500 mm convex surfaces



Crown drill for pipe connections DN20-DN250

- Centrepiece for DN 13 chucks
- Surface
- Long life cutting edge
- Centre drill can be changed, DN10
- Can be applied on convex surfaces up to 12 mm wall thickness



General technical data

Pipe connection size D (mm)	Crown drill size DF(mm)	Nominal wall thickness FV(mm)	Minimum convexity of surface (mm)	Note
20	25	5	DN 160	The normal rubber sealing rings are exclusively for general wastewater. Oil, UV or chemical resistant types are for individual ask.
25	32	5	DN 160	
32	40	5	DN 200	
40	53	5	DN 200	
50	63	5	DN 250	
63	75	5	DN 250	
75	90	5	DN 315	
90	105	5 / 7 / 10	DN 315	
110	125	5 / 7 / 10	DN500	
125	140	7 / 10	DN500	
140	155	7 / 10	DN 500	
160	175	7 / 10	DN 500	
200	215	7/10	DN 500	
250	265	7/10	DN 800	